

# PARTS LIST

## CAUTION

- The parts identified by the  $\triangle$  symbol are important for the safety . Whenever replacing these parts, be sure to use specified ones to secure the safety .
- The parts not indicated in this Parts List and those which are filled with lines --- in the Parts No. columns will not be supplied .
- P. W. Board Ass'y will not be supplied, but those which are filled with the Parts No. in the Parts No. columns will be supplied .

## ABBREVIATIONS OF RESISTORS, CAPACITORS AND TOLERANCES

RESISTORS		CAPACITORS	
C R	Carbon Resistor	C CAP.	Ceramic Capacitor
F R	Fusible Resistor	E CAP.	Electrolytic Capacitor
P R	Plate Resistor	M CAP.	Mylar Capacitor
V R	Variable Resistor	HV CAP.	High Voltage Capacitor
HV R	High Voltage Resistor	MF CAP.	Metalized Film Capacitor
MF R	Metal Film Resistor	MM CAP.	Metalized Mylar Capacitor
MG R	Metal Glazed Resistor	MP CAP.	Metalized Polystyrol Capacitor
MP R	Metal Plate Resistor	PP CAP.	Polypropylene Capacitor
OM R	Metal Oxide Film Resistor	PS CAP.	Polystyrol Capacitor
CMF R	Coating Metal Film Resistor	TF CAP.	Thin Film Capacitor
UNF R	Non-Flammable Resistor	MPP CAP.	Metalized Polypropylene Capacitor
CH V R	Chip Variable Resistor	TAN. CAP.	Tantalum Capacitor
CH MG R	Chip Metal Glazed Resistor	CH C CAP.	Chip Ceramic Capacitor
COMP. R	Composition Resistor	BP E CAP.	Bi-Polar Electrolytic Capacitor
LPTC R	Linear Positive Temperature Coefficient Resistor	CH AL E CAP.	Chip Aluminum Electrolytic Capacitor
		CH AL BP CAP.	Chip Aluminum Bi-Polar Capacitor
		CH TAN. E CAP.	Chip Tantalum Electrolytic Capacitor
		CH AL BP E CAP.	Chip Tantalum Bi-Polar Electrolytic Capacitor

RESISTORS									
F	G	J	K	M	N	R	H	Z	P
±1%	±2%	±5%	±10%	±20%	±30%	+30% -10%	+50% -10%	+80% -20%	+100% 0%

# CONTENTS

<b>USING P.W. BOARD &amp; REMOTE CONTROL UNIT .....</b>	<b>39</b>
<b>EXPLODED VIEW PARTS LIST-I .....</b>	<b>39</b>
<b>EXPLODED VIEW-I .....</b>	<b>39</b>
<b>EXPLODED VIEW PARTS LIST-II .....</b>	<b>40</b>
<b>EXPLODED VIEW-II .....</b>	<b>41</b>
<b>PRINTED WIRING BOARD PARTS LIST</b>	
<b>MAIN PW BOARD ASS'Y .....</b>	<b>42</b>
<b>REMOTE CONTROL UNIT PARTS LIST (RM-C357-1C).....</b>	<b>46</b>
<b>PACKING / PACKING PARTS LIST .....</b>	<b>47</b>

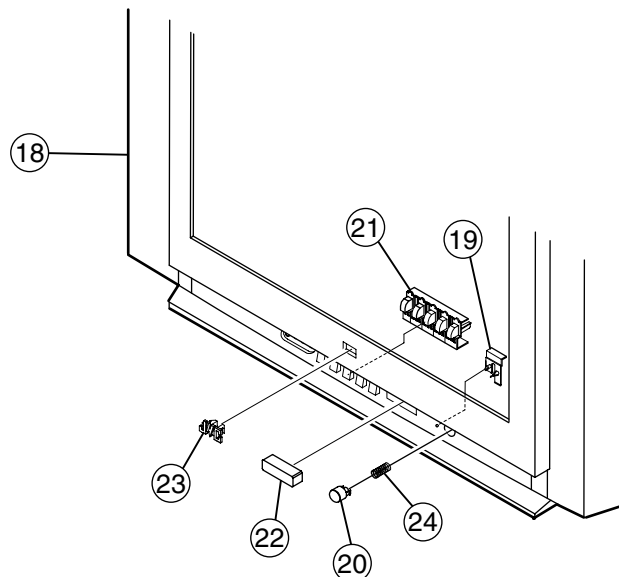
## USING P.W. BOARD & REMOTE CONTROL UNIT

P.W.B ASS'Y	Model	AV-21L81-VT
MAIN PWB (include CRT SOCKET PWB)		SCH-1026A-CK
REMOTE CONTROL UNIT		RM-C357-1C

## EXPLODED VIEW PARTS LIST-I

△ Ref.No.	Part No.	Part Name	Description	Local
18	GG10129-010A-HK	FRONT CABINET		
19	GG30021-001A-H	LED LENS		
20	GG30019-001B-H	POWER KNOB		
21	GG20006-001A-H	CONTROL KNOB		
22	GG30020-001A-H	E.E.WINDOW		
23	CM48125-009	JVC MARK		
24	CM35235-003-H	SPRING		

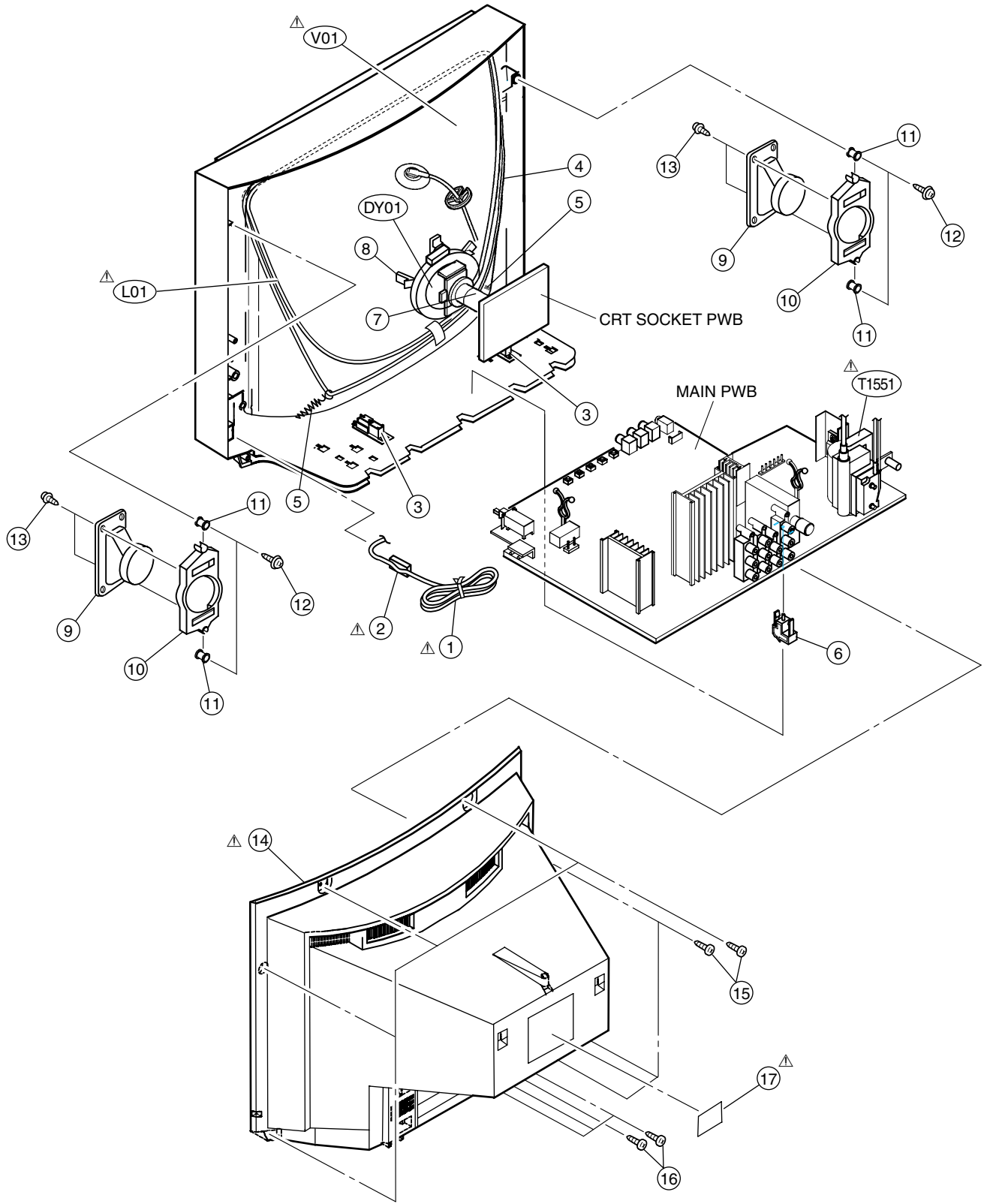
## EXPLODED VIEW-I



## EXPLODED VIEW PARTS LIST-II

△ Ref.No.	Part No.	Part Name	Description	Local
△ V01	A51LSH196X	PICTURE TUBE		
△ L01	QQW0118-001	DEG COIL		
△ DY01	QQD0044-001	DEFLECTION YOKE		
△ T1551	QQH0104-001	FBT		
△ 1	QMP40D0-200J5	POWER CORD		
△ 2	CM47005-A01-H	CORD CLAMP		
3	CM36623-B01-H	CHASSIS RAIL	(X2)	
4	CHGB0028-0A	BRAIDED ASSY		
5	A48457-4-S	SPRING	(X2)	
6	CM48144-002-H	PB STOPPER		
7	A75034-B	PC MAGNET		
8	CE40764-00A	WEDGE ASSY	(X3)	
9	QAS0032-001	SPEAKER	(X2) SP01, SP02	
10	LC20371-001D-H	SP HOLDER	(X2)	
11	LC40226-003A-H	SPACER	(X4)	
12	LC40317-001A	TAPPING SCREW	(X4)	
13	QYSBSB4012Z	TAPPING SCREW	(X4)	
△ 14	GG10130-001A-HK	REAR COVER		
15	QYSBSFG4016Z	TAPPING SCREW	(X7)	
16	QYSBSF3010Z	TAPPING SCREW	(X4)	
△ 17	GG20016-001A-E	RATING LABEL		

# EXPLODED VIEW-II



# PRINTED WIRING BOARD PARTS LIST

## MAIN PW BOARD ASS'Y(SCH-1026A-CK)

△ Symbol No.	Part No.	Part Name	Description	Local	△ Symbol No.	Part No.	Part Name	Description	Local
<b>RESISTOR</b>					<b>RESISTOR</b>				
R1001-02	NRSA02J-221X	MG R	220Ω 1/10W J		R1484-85	NRSA02J-562X	MG R	5.6kΩ 1/10W J	
R1003	NRSA02J-392X	MG R	3.9kΩ 1/10W J		R1486	NRSA02J-272X	MG R	2.7kΩ 1/10W J	
R1004	NRSA02J-221X	MG R	220Ω 1/10W J		R1487	NRSA02J-333X	MG R	33kΩ 1/10W J	
R1006	NRSA02J-273X	MG R	27kΩ 1/10W J		R1489	NRSA02J-122X	MG R	1.2kΩ 1/10W J	
R1101	NRSA02J-100X	MG R	10Ω 1/10W J		R1490	NRSA02J-102X	MG R	1kΩ 1/10W J	
R1102	NRSA02J-682X	MG R	6.8kΩ 1/10W J		R1491	NRSA02J-562X	MG R	5.6kΩ 1/10W J	
R1103	NRSA02J-272X	MG R	2.7kΩ 1/10W J		R1492	NRSA02J-822X	MG R	8.2kΩ 1/10W J	
R1104	NRSA02J-181X	MG R	180Ω 1/10W J		R1493	QRE122J-223	C R	22kΩ 1/2W J	
R1105	NRSA02J-220X	MG R	22Ω 1/10W J		R1494	QRL03EJ-330	OM R	33Ω 3W J	
R1106	NRSA02J-101X	MG R	100Ω 1/10W J		R1521	NRSA02J-101X	MG R	100Ω 1/10W J	
R1107	NRSA02J-472X	MG R	4.7kΩ 1/10W J		R1522	NRSA02J-102X	MG R	1kΩ 1/10W J	
R1108-09	NRSA02J-222X	MG R	2.2kΩ 1/10W J		R1524	QRL02EJ-270X	OM R	27Ω 2W J	
R1111	NRSA02J-102X	MG R	1kΩ 1/10W J		R1526	QRG01GJ-271	OM R	270Ω 1W J	
R1112	NRSA02J-103X	MG R	10kΩ 1/10W J		R1527	QRL03EJ-103X	OM R	10kΩ 3W J	
R1113	NRSA02J-271X	MG R	270Ω 1/10W J		R1528-29	QRX029J-1R2	MF R	1.2Ω 2W J	
R1114	NRSA02J-821X	MG R	820Ω 1/10W J		R1531	NRSA02J-222X	MG R	2.2kΩ 1/10W J	
R1115	NRSA02J-181X	MG R	180Ω 1/10W J		△ R1532	QRZ9017-4R7	F R	4.7Ω 1/4W J	
R1117	NRSA02J-102X	MG R	1kΩ 1/10W J		△ R1540	QRZ9011-4R7	F R	4.7Ω 1/2W J	
R1119	NRSA02J-102X	MG R	1kΩ 1/10W J		R1541-42	QRE122J-154	C R	150kΩ 1/2W J	
R1120	NRSA02J-471X	MG R	470Ω 1/10W J		R1543	QRE122J-471	C R	470Ω 1/2W J	
R1130	NRSA02J-472X	MG R	4.7kΩ 1/10W J		R1545	QRE122J-220	C R	22Ω 1/2W J	
R1131	NRSA02J-471X	MG R	470Ω 1/10W J		R1546	QRE122J-822	C R	8.2kΩ 1/2W J	
R1132	NRSA02J-222X	MG R	2.2kΩ 1/10W J		R1591	QRE122J-222	C R	2.2kΩ 1/2W J	
R1133	NRSA02J-152X	MG R	1.5kΩ 1/10W J		R1592	QRZ0221-2R2	UNF R	2.2Ω	
R1134	NRSA02J-182X	MG R	1.8kΩ 1/10W J		R1593	NRSA02J-102X	MG R	1kΩ 1/10W J	
R1135	NRSA02J-561X	MG R	560Ω 1/10W J		R1594	QRE121J-183Y	C R	18kΩ 1/2W J	
R1136	NRSA02J-472X	MG R	4.7kΩ 1/10W J		R1595	NRSA02J-222X	MG R	2.2kΩ 1/10W J	
R1137	NRSA02J-103X	MG R	10kΩ 1/10W J		R1621-22	NRSA02J-101X	MG R	100Ω 1/10W J	
R1138	NRSA02J-561X	MG R	560Ω 1/10W J		R1626	NRSA02J-472X	MG R	4.7kΩ 1/10W J	
R1139	NRSA02J-222X	MG R	2.2kΩ 1/10W J		R1627	NRSA02J-224X	MG R	220kΩ 1/10W J	
R1140	NRSA02J-152X	MG R	1.5kΩ 1/10W J		R1628	NRSA02J-104X	MG R	100kΩ 1/10W J	
R1141	NRSA02J-182X	MG R	1.8kΩ 1/10W J		R1629	NRSA02J-153X	MG R	15kΩ 1/10W J	
R1142	NRSA02J-561X	MG R	560Ω 1/10W J		R1630	NRSA02J-273X	MG R	27kΩ 1/10W J	
R1143	NRSA02J-471X	MG R	470Ω 1/10W J		R1631	NRSA02J-473X	MG R	47kΩ 1/10W J	
R1144	NRSA02J-220X	MG R	22Ω 1/10W J		R1632-33	NRSA02J-103X	MG R	10kΩ 1/10W J	
R1145	NRSA02J-821X	MG R	820Ω 1/10W J		R1650-51	NRSA02J-392X	MG R	3.9kΩ 1/10W J	
R1146	NRSA02J-103X	MG R	10kΩ 1/10W J		R1652-53	NRSA02J-0R0X	MG R	0.0Ω 1/10W J	
R1147	NRSA02J-101X	MG R	100Ω 1/10W J		R1654-55	NRSA02J-392X	MG R	3.9kΩ 1/10W J	
R1148	NRSA02J-332X	MG R	3.3kΩ 1/10W J		R1658-59	QRE122J-2R2	C R	2.2Ω 1/2W J	
R1301-02	NRSA02J-222X	MG R	2.2kΩ 1/10W J		R1660	NRSA02J-103X	MG R	10kΩ 1/10W J	
R1303	NRSA02J-562X	MG R	5.6kΩ 1/10W J		R1661	NRSA02J-683X	MG R	68kΩ 1/10W J	
R1304-05	NRSA02J-222X	MG R	2.2kΩ 1/10W J		R1662	NRSA02J-333X	MG R	33kΩ 1/10W J	
R1306	NRSA02J-562X	MG R	5.6kΩ 1/10W J		R1663	NRSA02J-103X	MG R	10kΩ 1/10W J	
R1350-51	NRSA02J-151X	MG R	150Ω 1/10W J		R1664	NRSA02J-222X	MG R	2.2kΩ 1/10W J	
R1353	NRSA02J-151X	MG R	150Ω 1/10W J		R1688	NRSA02J-273X	MG R	27kΩ 1/10W J	
R1354	QRE122J-222	C R	2.2kΩ 1/2W J		R1690	NRSA02J-104X	MG R	100kΩ 1/10W J	
R1363	QRZ0111-152	C R	1.5kΩ 1/2W K		R1691	NRSA02J-682X	MG R	6.8kΩ 1/10W J	
R1364	QRE122J-222	C R	2.2kΩ 1/2W J		R1692	NRSA02J-104X	MG R	100kΩ 1/10W J	
R1365	QRZ0111-152	C R	1.5kΩ 1/2W K		R1693	NRSA02J-103X	MG R	10kΩ 1/10W J	
R1366	QRZ0111-474	C R	470kΩ 1/2W K		R1694	NRSA63J-472X	MG R	4.7kΩ 1/16W J	
R1368	QRZ0111-152	C R	1.5kΩ 1/2W K		R1695	NRSA63J-562X	MG R	5.6kΩ 1/16W J	
R1369	QRE122J-222	C R	2.2kΩ 1/2W J		R1696	NRSA02J-222X	MG R	2.2kΩ 1/10W J	
R1373	QRE122J-394	C R	390kΩ 1/2W J		R1698-99	NRSA02J-104X	MG R	100kΩ 1/10W J	
R1374	QRE121J-124Y	C R	120kΩ 1/2W J		R1701	NRSA02J-103X	MG R	10kΩ 1/10W J	
R1380	NRSA02J-101X	MG R	100Ω 1/10W J		R1702-03	NRSA02J-101X	MG R	100Ω 1/10W J	
R1381-83	NRSA63J-101X	MG R	100Ω 1/16W J		R1704-06	NRSA02J-102X	MG R	1kΩ 1/10W J	
R1384	NRSA63J-223X	MG R	22kΩ 1/16W J		R1707-10	NRSA02J-472X	MG R	4.7kΩ 1/10W J	
R1401	NRSA02J-224X	MG R	220kΩ 1/10W J		R1711-14	NRSA02J-101X	MG R	100Ω 1/10W J	
R1403	NRSA02J-0R0X	MG R	0.0Ω 1/10W J		R1715-17	NRSA02J-103X	MG R	10kΩ 1/10W J	
R1405	NRSA02J-682X	MG R	6.8kΩ 1/10W J		R1718-19	NRSA02J-221X	MG R	220Ω 1/10W J	
R1406	NRSA02J-123X	MG R	12kΩ 1/10W J		R1720	NRSA02J-102X	MG R	1kΩ 1/10W J	
R1408	NRSA02J-682X	MG R	6.8kΩ 1/10W J		R1721-24	NRSA02J-221X	MG R	220Ω 1/10W J	
R1410	NRSA02J-123X	MG R	12kΩ 1/10W J		R1725	NRSA02J-103X	MG R	10kΩ 1/10W J	
R1411	QRG01GJ-221	OM R	220Ω 1W J		R1726	NRSA02J-472X	MG R	4.7kΩ 1/10W J	
R1412	QRE122J-1R0	C R	1.0Ω 1/2W J		R1727	NRSA02J-104X	MG R	100kΩ 1/10W J	
R1413	QRX01GJ-5R6	MF R	5.6Ω 1W J		R1728	NRSA02J-103X	MG R	10kΩ 1/10W J	
R1414	QRE121J-6R8Y	C R	6.8Ω 1/2W J		R1730	NRSA02J-223X	MG R	22kΩ 1/10W J	
R1425	NRSA02J-683X	MG R	68kΩ 1/10W J		R1731	NRSA02J-101X	MG R	100Ω 1/10W J	
R1480	QRE122J-681	C R	680Ω 1/2W J		R1732	NRSA02J-393X	MG R	39kΩ 1/10W J	
R1481	NRSA02J-223X	MG R	22kΩ 1/10W J		R1733	NRSA02J-273X	MG R	27kΩ 1/10W J	
R1482	NRSA02J-562X	MG R	5.6kΩ 1/10W J		R1734	NRSA02J-391X	MG R	390Ω 1/10W J	
R1483	NRSA02J-823X	MG R	82kΩ 1/10W J		R1735	NRSA02J-104X	MG R	100kΩ 1/10W J	

△	Symbol No.	Part No.	Part Name	Description	Local	△	Symbol No.	Part No.	Part Name	Description	Local	
<b>RESISTOR</b>						<b>RESISTOR</b>						
	R1736	NRSA02J-333X	MG R	33kΩ 1/10W J			R1911	QRE122J-332	C R	3.3kΩ 1/2W J		
	R1737	NRSA02J-272X	MG R	2.7kΩ 1/10W J			R1912	NRSA02J-182X	MG R	1.8kΩ 1/10W J		
	R1738	NRSA02J-103X	MG R	10kΩ 1/10W J			△	R1915	QRZ0111-474	C R	470kΩ 1/2W K	
	R1739-41	NRSA02J-101X	MG R	100Ω 1/10W J			R1952	NRSA02J-332X	MG R	3.3kΩ 1/10W J		
	R1742	NRSA02J-0R0X	MG R	0.0Ω 1/10W J			R1953	NRSA02J-101X	MG R	100Ω 1/10W J		
	R1743	QRE141J-102Y	C R	1kΩ 1/4W J			R1954	QRE121J-560Y	C R	56Ω 1/2W J		
	R1744	NRSA02J-561X	MG R	560Ω 1/10W J			R1955	QRG01GJ-330	OM R	33Ω 1W J		
	R1745	NRSA02J-105X	MG R	1MΩ 1/10W J			R1956	QRE122J-100	C R	10Ω 1/2W J		
	R1746	NRSA02J-333X	MG R	33kΩ 1/10W J			R1957	QRE122J-6R8	C R	6.8Ω 1/2W J		
	R1747	NRSA02J-103X	MG R	10kΩ 1/10W J			R1960	NRSA02J-391X	MG R	390Ω 1/10W J		
	R1748-49	NRSA02J-475X	MG R	4.7MΩ 1/10W J			R1961	QRL02EJ-223X	OM R	22kΩ 2W J		
	R1750-51	QRE141J-0R0Y	C R	0.0Ω 1/4W J			R1962	NRSA02J-561X	MG R	560Ω 1/10W J		
	R1755-56	NRSA02J-101X	MG R	100Ω 1/10W J			R1963	QRE122J-103	C R	10kΩ 1/2W J		
	R1757-58	NRSA02J-222X	MG R	2.2kΩ 1/10W J			R1964	NRSA02J-473X	MG R	47kΩ 1/10W J		
	R1760	NRSA02J-682X	MG R	6.8kΩ 1/10W J			R1965	NRSA02J-0R0X	MG R	0.0Ω 1/10W J		
	R1770	QRE122J-271	C R	270Ω 1/2W J			R1966	NRSA02J-682X	MG R	6.8kΩ 1/10W J		
	R1771	NRSA02J-102X	MG R	1kΩ 1/10W J			R1967	NRSA02J-473X	MG R	47kΩ 1/10W J		
	R1772	QRE122J-271	C R	270Ω 1/2W J			R1970	NRSA02J-153X	MG R	15kΩ 1/10W J		
	R1773	NRSA02J-102X	MG R	1kΩ 1/10W J			R1971	NRSA02J-183X	MG R	18kΩ 1/10W J		
	R1775	NRSA02J-332X	MG R	3.3kΩ 1/10W J			△	R1991	QRZ0057-825	C R	8.2MΩ 1W J	
	R1776	NRSA02J-392X	MG R	3.9kΩ 1/10W J			<b>CAPACITOR</b>					
	R1777	NRSA02J-682X	MG R	6.8kΩ 1/10W J			C1001	NCB21HK-103X	C CAP.	0.01μF 50V K		
	R1779	NRSA02J-272X	MG R	2.7kΩ 1/10W J			C1002	QETM1HM-106	E CAP.	10μF 50V M		
	R1780	NRSA02J-471X	MG R	470Ω 1/10W J			C1003	QFV81HJ-104	MF CAP.	0.1μF 50V J		
	R1781	NRSA02J-122X	MG R	1.2kΩ 1/10W J			C1004	QETM1CM-477	E CAP.	470μF 16V M		
	R1782	NRSA02J-181X	MG R	180Ω 1/10W J			C1005	NCB21HK-222X	C CAP.	2200pF 50V K		
	R1783	NRSA02J-221X	MG R	220Ω 1/10W J			C1006	QETM1CM-336	E CAP.	33μF 16V M		
	R1784	NRSA02J-331X	MG R	330Ω 1/10W J			C1007	NCB21HK-103X	C CAP.	0.01μF 50V K		
	R1785	NRSA02J-471X	MG R	470Ω 1/10W J			C1101-05	NCB21HK-472X	C CAP.	4700pF 50V K		
	R1803	NRSA02J-333X	MG R	33kΩ 1/10W J			C1106-07	NCB21HK-103X	C CAP.	0.01μF 50V K		
	R1805	NRSA02J-750X	MG R	75Ω 1/10W J			C1109	QETM1HM-106	E CAP.	10μF 50V M		
	R1808	NRSA02J-823X	MG R	82kΩ 1/10W J			C1130-32	NCB21HK-103X	C CAP.	0.01μF 50V K		
	R1809	NRSA02J-391X	MG R	390Ω 1/10W J			C1133	QETM1CM-107	E CAP.	100μF 16V M		
	R1810	NRSA02J-823X	MG R	82kΩ 1/10W J			C1134	NCB21HK-103X	C CAP.	0.01μF 50V K		
	R1811	NRSA02J-391X	MG R	390Ω 1/10W J			C1135	QETM1EM-476	E CAP.	47μF 25V M		
	R1812	NRSA02J-104X	MG R	100kΩ 1/10W J			C1136-38	NCB21HK-103X	C CAP.	0.01μF 50V K		
	R1813	NRSA02J-222X	MG R	2.2kΩ 1/10W J			C1140-42	NCB21HK-103X	C CAP.	0.01μF 50V K		
	R1815	NRSA02J-101X	MG R	100Ω 1/10W J			C1143	QETM1HM-106	E CAP.	10μF 50V M		
	R1818	NRSA02J-222X	MG R	2.2kΩ 1/10W J			C1144	NCB21HK-223X	C CAP.	0.022μF 50V K		
	R1820	NRSA02J-101X	MG R	100Ω 1/10W J			C1308	NCB21HK-103X	C CAP.	0.01μF 50V K		
	R1821	NRSA02J-222X	MG R	2.2kΩ 1/10W J			C1352	QFK62EK-104Z	MM CAP.	0.1μF 250V K		
	R1823	NRSA02J-101X	MG R	100Ω 1/10W J			C1353	QETN2EM-475Z	E CAP.	4.7μF 250V M		
	R1824	NRSA02J-222X	MG R	2.2kΩ 1/10W J			C1354	QCZ0131-222	C CAP.	2200pF 2000V K		
	R1826	NRSA02J-101X	MG R	100Ω 1/10W J			C1355	QCZ0131-472	C CAP.	4700pF 2000V K		
	R1829	NRSA02J-750X	MG R	75Ω 1/10W J			C1357	NDC21HJ-101X	C CAP.	100pF 50V J		
	R1830-31	NRSA02J-222X	MG R	2.2kΩ 1/10W J			C1358	QETM1CM-477	E CAP.	470μF 16V M		
	R1832	NRSA02J-122X	MG R	1.2kΩ 1/10W J			C1401	QETM1HM-105	E CAP.	1μF 50V M		
	R1833	NRSA02J-102X	MG R	1kΩ 1/10W J			C1402	QCB31HK-682Z	C CAP.	6800pF 50V K		
	R1834-35	NRSA02J-562X	MG R	5.6kΩ 1/10W J			C1403	QEHR1VM-227Z	E CAP.	220μF 35V M		
	R1836	NRSA02J-750X	MG R	75Ω 1/10W J			C1406	QFLC2AJ-683Z	M CAP.	0.068μF 100V J		
	R1837	NRSA02J-101X	MG R	100Ω 1/10W J			C1408	QFV81HJ-184	MF CAP.	0.18μF 50V J		
	R1838	QRK126J-121X	C R	120Ω 1/2W J			C1411-12	NCF21HZ-334X	C CAP.	0.33μF 50V Z		
	R1839-40	QRE122J-221	C R	220Ω 1/2W J			C1413	QFLC2AJ-563Z	M CAP.	0.056μF 100V J		
	R1841	NRSA02J-0R0X	MG R	0.0Ω 1/10W J			C1422	QETM1VM-108	E CAP.	1000μF 35V M		
	R1842	NRSA02J-0R0X	MG R	0.0Ω 1/10W J			C1480	QETM1HM-106	E CAP.	10μF 50V M		
	R1843	NRSA02J-821X	MG R	820Ω 1/10W J			C1483	QEZ0195-475Z	E CAP.	4.7μF 50V M		
	R1844	NRSA02J-222X	MG R	2.2kΩ 1/10W J			C1485	QETM1HM-226	E CAP.	22μF 50V M		
	R1845	NRSA02J-102X	MG R	1kΩ 1/10W J			C1521	QETN1VM-476Z	E CAP.	47μF 35V M		
	R1846	NRSA02J-222X	MG R	2.2kΩ 1/10W J			C1522	QFLC1HJ-332Z	M CAP.	3300pF 50V J		
	R1847	NRSA02J-103X	MG R	10kΩ 1/10W J			C1523	QFLB1HJ-223	M CAP.	0.022μF 50V J		
	R1849	NRSA02J-221X	MG R	220Ω 1/10W J			C1524	QFZ0196-602	MPP CAP.	6000pF 1.5kVH ±3%		
	R1880	NRSA02J-202X	MG R	2kΩ 1/10W J			C1525	QFZ0196-472	MPP CAP.	4700pF 1.5kVH ±3%		
	R1881	NRSA02J-103X	MG R	10kΩ 1/10W J			C1526	QFP32GJ-183	PP CAP.	0.018μF 400V J		
	R1882	NRSA02J-471X	MG R	470Ω 1/10W J			C1527-28	QFZ0199-154	MPP CAP.	0.15μF 250V J		
	R1883	NRSA02J-181X	MG R	180Ω 1/10W J			C1529	QEHR2EM-475Z	E CAP.	4.7μF 250V M		
	R1902	QRF154K-2R2	UNF R	2.2Ω	K		C1530	QCB32HK-561	C CAP.	560pF 500V K		
	R1904	QRE122J-681	C R	680Ω 1/2W J			C1531	QEHQ1EM-108	E CAP.	1000μF 25V M		
	R1905	QRM034J-R22	MP R	0.22Ω	J		C1533	QEHQ1EM-108	E CAP.	1000μF 25V M		
	R1907	NRSA02J-563X	MG R	56kΩ 1/10W J			C1535	QCB32HK-101Z	C CAP.	100pF 500V K		
	R1908	QRL039J-333	OMF R	33kΩ	J							
	R1909	QRE122J-474	C R	470kΩ 1/2W J								
	R1910	QRE121J-392Y	C R	3.9kΩ 1/2W J								

△ Symbol No.	Part No.	Part Name	Description	Local
<b>CAPACITOR</b>				
C1536	QFLB1HJ-103	M CAP.	0.01μF 50V	J
C1540	QFV81HJ-104	MF CAP.	0.1μF 50V	J
C1541	QETM2EM-106	E CAP.	10μF 250V	M
C1550	NCB21HK-104X	C CAP.	0.1μF 50V	K
C1591	QETM1AM-107	E CAP.	100μF 10V	M
C1592	QEZ0203-107	E CAP.	100μF 160V	M
C1593	QETM1EM-476	E CAP.	47μF 25V	M
C1603	QETM1CM-228	E CAP.	2200μF 16V	M
C1625	QETM1HM-106	E CAP.	10μF 50V	M
C1626	QETM1CM-107	E CAP.	100μF 16V	M
C1629	QETM1HM-475	E CAP.	4.7μF 50V	M
C1630	NDC21HJ-471X	C CAP.	470pF 50V	J
C1631	NCB21EK-333X	C CAP.	0.033μF 25V	K
C1634	QETM1HM-106	E CAP.	10μF 50V	M
C1636-37	QETM1HM-105	E CAP.	1μF 50V	M
C1638	NCB21EK-333X	C CAP.	0.033μF 25V	K
C1639	NDC21HJ-471X	C CAP.	470pF 50V	J
C1640	QETM1HM-475	E CAP.	4.7μF 50V	M
C1641	QETM1CM-107	E CAP.	100μF 16V	M
C1642	NCB21HK-104X	C CAP.	0.1μF 50V	K
C1643	NCB21HK-562X	C CAP.	5600pF 50V	K
C1644	QETM1HM-475	E CAP.	4.7μF 50V	M
C1645-46	QETM1HM-106	E CAP.	10μF 50V	M
C1647	NCB21HK-393X	C CAP.	0.039μF 50V	K
C1648	NCB21HK-223X	C CAP.	0.022μF 50V	K
C1650	QETM1HM-106	E CAP.	10μF 50V	M
C1651	QETM1CM-107	E CAP.	100μF 16V	M
C1652	QETM1HM-106	E CAP.	10μF 50V	M
C1655-56	QETM1VM-108	E CAP.	1000μF 35V	M
C1659-61	NCF21HZ-224X	C CAP.	0.22μF 50V	Z
C1662	QETM1HM-106	E CAP.	10μF 50V	M
C1663	NCF21HZ-224X	C CAP.	0.22μF 50V	Z
C1665	NCF21CZ-105X	C CAP.	1μF 16V	Z
C1669	NCF21CZ-105X	C CAP.	1μF 16V	Z
C1681-83	QETM1CM-227	E CAP.	220μF 16V	M
C1684	QETM1HM-106	E CAP.	10μF 50V	M
C1685	NRSA02J-0R0X	MG R	0.0Ω 1/10W	J
C1686	NRSA02J-0R0X	MG R	0.0Ω 1/10W	J
C1702	QETM1HM-106	E CAP.	10μF 50V	M
C1703-04	NDC21HJ-220X	C CAP.	22pF 50V	J
C1706	NCB21EK-224X	C CAP.	0.22μF 25V	K
C1707	QETM1CM-107	E CAP.	100μF 16V	M
C1709	QETM1CM-107	E CAP.	100μF 16V	M
C1710	NCB21EK-224X	C CAP.	0.22μF 25V	K
C1711	NCB21HK-104X	C CAP.	0.1μF 50V	K
C1713	NCB21HK-104X	C CAP.	0.1μF 50V	K
C1714	QETM1CM-476	E CAP.	47μF 16V	M
C1720	QETM1CM-476	E CAP.	47μF 16V	M
C1725	NDC21HJ-681X	C CAP.	680pF 50V	J
C1726	QETM1HM-106	E CAP.	10μF 50V	M
C1730-31	NCB21EK-224X	C CAP.	0.22μF 25V	K
C1732	QETM1CM-107	E CAP.	100μF 16V	M
C1733	NCB21HK-104X	C CAP.	0.1μF 50V	K
C1734	NCB21HK-222X	C CAP.	2200pF 50V	K
C1735	NCB21HK-222X	C CAP.	2200pF 50V	K
C1736-37	QETM1HM-105	E CAP.	1μF 50V	M
C1738	NCB21HK-104X	C CAP.	0.1μF 50V	K
C1739	NFV41CJ-104X	MPP CAP.	0.12μF 16V	J
C1740	QETM1HM-225	E CAP.	2.2μF 50V	M
C1741-42	NCB21HK-104X	C CAP.	0.1μF 50V	K
C1743	QETM1HM-107	E CAP.	100μF 50V	M
C1744	NCB21HK-102X	C CAP.	1000pF 50V	K
C1745-47	NCB21HK-473X	C CAP.	0.047μF 50V	K
C1749	QETM1HM-106	E CAP.	10μF 50V	M
C1751-53	NCB21HK-104X	C CAP.	0.1μF 50V	K
C1760	NCB21EK-104X	C CAP.	0.1μF 25V	K
C1761	QETM1CM-107	E CAP.	100μF 16V	M
C1770	QETM1HM-106	E CAP.	10μF 50V	M
C1803-04	QETM1HM-106	E CAP.	10μF 50V	M
C1805	QFLB1HJ-104	M CAP.	0.1μF 50V	J
C1807-08	NCF21CZ-105X	C CAP.	1μF 16V	Z
C1810	NCF21CZ-105X	C CAP.	1μF 16V	Z

△ Symbol No.	Part No.	Part Name	Description	Local
<b>CAPACITOR</b>				
C1811	QFLB1HJ-104	M CAP.	0.1μF 50V	J
C1812	NCF21CZ-105X	C CAP.	1μF 16V	Z
C1813	NCB21HK-103X	C CAP.	0.01μF 50V	K
C1814	QFLB1HJ-104	M CAP.	0.1μF 50V	J
C1815	NCF21CZ-105X	C CAP.	1μF 16V	Z
C1817	NCF21CZ-105X	C CAP.	1μF 16V	Z
C1819	QFLB1HJ-104	M CAP.	0.1μF 50V	J
C1820-21	NCF21CZ-105X	C CAP.	1μF 16V	Z
C1822	QETM1CM-477	E CAP.	470μF 16V	M
C1823-24	QETM1CM-107	E CAP.	100μF 16V	M
C1825	NCB21HK-103X	C CAP.	0.01μF 50V	K
C1826	QFLB1HJ-104	M CAP.	0.1μF 50V	J
C1827	NCB21HK-103X	C CAP.	0.01μF 50V	K
C1829-31	NCB21HK-103X	C CAP.	0.01μF 50V	K
C1833	QETM1HM-226	E CAP.	22μF 50V	M
C1834	NDC21HJ-181X	C CAP.	180pF 50V	J
△ C1901	QFZ9073-104	MF CAP.	0.1μF	
△ C1902	QFZ9073-473	MF CAP.	0.047μF	
△ C1903-05	QCZ9015-102Z	C CAP.	1000pF	250V Z
△ C1906	QFZ9073-224	MF CAP.	0.22μF	
C1907	QEZ0199-227	E CAP.	220μF	400V M
C1908	QCZ0364-222	C CAP.	2200pF	
C1910	NDC21HJ-471X	C CAP.	470pF	50V J
C1911	QETM1EM-227	E CAP.	220μF	25V M
C1914	QETM1EM-227	E CAP.	220μF	25V M
C1915	QFN31HJ-222	M CAP.	2200pF	50V J
C1952	QCB32HK-471	C CAP.	470pF	500V K
C1953	QETM1VM-108	E CAP.	1000μF	35V M
C1954	NCB21HK-102X	C CAP.	1000pF	50V K
C1957	QCB32HK-471	C CAP.	470pF	500V K
C1958	QETM1CM-108	E CAP.	1000μF	16V M
C1959	QCZ0364-561	C CAP.	560pF	
C1960	QEZ0203-107	E CAP.	100μF	160V M
C1962	QETM1HM-106	E CAP.	10μF	50V M
C1963-64	QETM1CM-476	E CAP.	47μF	16V M
C1968	NCB21HK-104X	C CAP.	0.1μF	50V K
C1972	QETM1HM-476	E CAP.	47μF	50V M
C1973	QETM1EM-107	E CAP.	100μF	25V M
C1974	NCB21HK-104X	C CAP.	0.1μF	50V K
C1975	QETM1CM-227	E CAP.	220μF	16V M
C1976	QETM1AM-107	ECAP.	100μF	10V M
C1977	QETM1AM-477	E CAP.	470μF	10V M
C1978	NCB21HK-104X	C CAP.	0.1μF	50V K
C1980	QETM1CM-107	E CAP.	100μF	16V M
△ C1991-93	QCZ9079-102	C CAP.	1000pF	250V M

**TRANSFORMER**

T1521	CE40203-00CJ1	DRIVE TRANSF.
T1551	QQH0104-001	H.V.TRANSF.
T1901	QQS0117-001	SWTICH.TRANSF.

**COIL**

L1001-02	QQL242K-8R2	COIL	8.2μH	K
L1101-02	QQL242K-5R6	COIL	5.6μH	K
L1103	QQL242K-100	COIL	10μH	K
L1104	QQL244K-180Z	COIL	18μH	K
L1351	QQL03BJ-5R6Z	COIL	5.6μH	J
L1480	QQLZ016-821	CHOKE COIL		
L1523	QQR1005-002	LINEARITY COIL		
L1524	QQLZ034-430	CHOKE COIL		
L1701-02	QQL242K-100	COIL	10μH	K
L1731	QQL242K-5R6	COIL	5.6μF	K
L1953-54	QQL242K-5R6	COIL	5.6μF	K

**DIODE**

D1101	DAN235K-X	SI.DIODE
D1351	MA111-X	SI.DIODE
D1356	MA111-X	SI.DIODE
D1357-59	RGP10J-5025-T3	SI.DIODE
D1360	MA3075/M/-X	ZENER DIODE



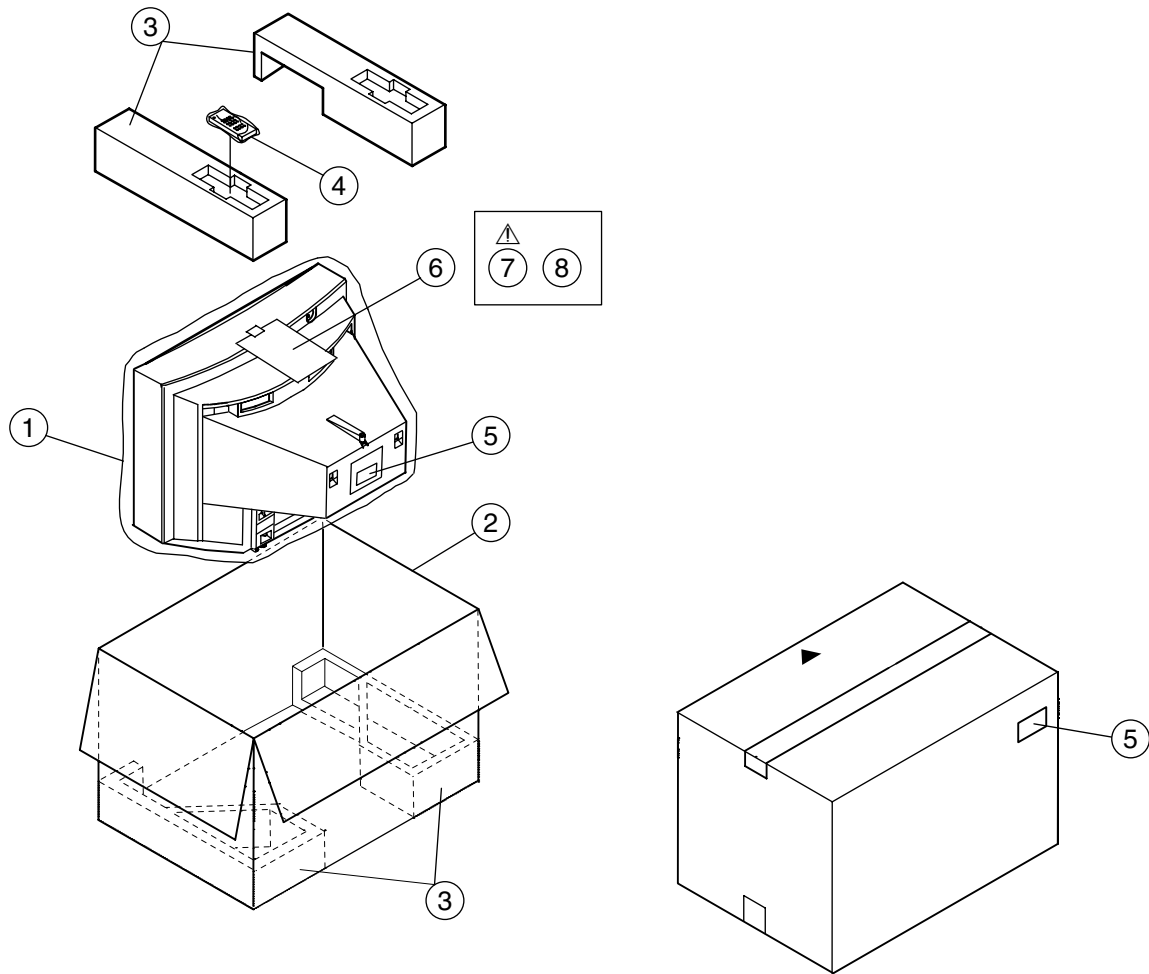
△ Symbol No.	Part No.	Part Name	Description	Local	△ Symbol No.	Part No.	Part Name	Description	Local
<b>DIODE</b>					<b>TRANSISTOR</b>				
D1401	RGP10J-5025-T3	SI.DIODE			Q1701-02	2SA1037AK/QR/-X	SI.TRANSISTOR		
D1402	MTZJ75-T2	ZENER DIODE			Q1703	2SC2412K/QR/-X	SI.TRANSISTOR		
D1405	1N4003-T2	SI.DIODE			Q1720	2SA1037AK/QR/-X	SI.TRANSISTOR		
D1408	MA111-X	SI.DIODE			Q1770	2SA1037AK/QR/-X	SI.TRANSISTOR		
D1480	MTZJ4.3A-T2	ZENER DIODE			Q1801-02	DTC323TK-X	DIGI.TRANSISTOR		
D1521	ERB06-15-F1	SI.DIODE			Q1803	2SA1037AK/QR/-X	SI.TRANSISTOR		
D1522	RU3AM-LFC4	SI.DIODE			Q1804	2SC1740S/QR/	SI.TRANSISTOR		
D1523	RGP10J-5025-T3	SI.DIODE			Q1860	2SC2412K/QR/-X	SI.TRANSISTOR		
D1541	RGP10J-5025-T3	SI.DIODE			Q1861-62	2SA1037AK/QR/-X	SI.TRANSISTOR		
D1550	MA111-X	SI.DIODE			Q1952-54	2SC2412K/QR/-X	SI.TRANSISTOR		
D1551	RGP10J-5025-T3	SI.DIODE			<b>IC</b>				
D1553	RGP10J-5025-T3	SI.DIODE			IC1130	M52342SP	I.C(MONO-ANA)		
D1554	RGP10J-5025-T3	SI.DIODE			IC1351	TDA6107Q/N2	I.C(MONO-ANA)		
D1592	MA3075/H/-X	ZENER DIODE			IC1401	AN5522	I.C(MONO-ANA)		
D1652-53	MA3330/L/-X	ZENER DIODE			IC1480	UPC358G2-XE	I.C(MONO-ANA)		
D1682	MA111-X	SI.DIODE			IC1602	BH3865S	I.C(MONO-ANA)		
D1702	MA3024-X	ZENER DIODE			IC1650	AN5276	I.C(MONO-ANA)		
D1730-33	MA111-X	SI.DIODE			IC1701	TDA9386N12S0454	I.C(M)		
D1760	SLR-342VR-T16	L.E.D.			IC1702	AT24C08-21LS	I.C(MEMORY-OTH)	(SERVICE)	
D1770	MA111-X	SI.DIODE			IC1760	GP1U281Q	IFR DETECT UNIT		
D1771	P1241-04	C.D.S.			IC1801	MM1492AF	I.C(MONO-ANA)		
D1901	GSIB460	DIODE			IC1901	STR-F6707A/F7	I.C(HYBRID)		
D1903	MTZJ12C-T2	ZENER DIODE			IC1951	SE135N	I.C(HYBRID)		
D1904	EG01C-T2	SI.DIODE			IC1972	L88M33T-X	I.C(MONO-ANA)		
D1906	EG01C-T2	SI.DIODE			IC1974	BA51W12ST-V5	I.C(MONO-ANA)		
D1907	MA3300/M/-X	CHIP ZENER DIODE			<b>OTHERS</b>				
D1908	MTZJ27B-T2	ZENER DIODE				LC30114-001C-H	L.E.D.HOLDER		
D1909	MA111-X	SI.DIODE				CM35921-005-H	CDS HOLDER		
D1910	NRSA02J-0R0X	MG R	0.0Ω	1/10W J		TPSH6.0MB	CERAMIC FILTER		
D1911	RGP10J-TS-T3	SI.DIODE			CF1103	TPS6.0MB	CERAMIC FILTER		
D1912	1SS133-T2	SI.DIODE			CF1104	TPS5.5MW	CERAMIC FILTER		
D1914	ERC30-02L38	SI.DIODE			CF1105	TPS6.5MB	CERAMIC FILTER		
D1952	ERC30-02L38	SI.DIODE			CF1106	QAX0639-001Z	CERAMIC FILTER		
D1954	RGP30B-F1	SI.DIODE			CF1130	QAX0642-001Z	CERAMIC FILTER		
D1955	1SR35-400A-T2	SI.DIODE			CF1140	QAX0336-001	CERAMIC FILTER		
D1956	RU3AM-LFC4	SI.DIODE			CF1142	QAX0338-001	CERAMIC FILTER		
D1958	MTZJ5.1A-T2	ZENER DIODE			△ CP1951	ICP-N75	I.C.PROTECT		
D1964	MA3330/L/-X	ZENER DIODE			△ CP1953	ICP-N38	I.C.PROTECT		
D1965	1SS133-T2	SI.DIODE			△ F1901	QMF51E2-4R0J4	FUSE		
D1966	MA3068/M/-X	ZENER DIODE			FC1901	CEMG002-001Z	FUSE CLIP		
D1968-69	MA111-X	SI.DIODE			J1770	QNS0155-001	JACK		
<b>TRANSISTOR</b>					J1771	QNN0282-003	PIN JACK		
Q1101	2SC5083/L-P/-T	SI.TRANSISTOR			J1772	QNN0282-002	PIN JACK		
Q1102	DTC124EKA-X	DIGI.TRANSISTOR			J1773	QNN0282-001	PIN JACK		
Q1104	2SA1037AK/QR/-X	SI.TRANSISTOR			J1801	QNN0349-001	PIN JACK		
Q1105-06	DTC124EKA-X	DIGI.TRANSISTOR			J1802	QNN0349-002	PIN JACK		
Q1107	2SA1037AK/QR/-X	SI.TRANSISTOR			J1803	QNN0348-001	PIN JACK		
Q1108	2SC2412K/QR/-X	SI.TRANSISTOR			J1804	QNN0349-001	PIN JACK		
Q1109	2SA1037AK/QR/-X	SI.TRANSISTOR			K1951	QQR1214-001Y	FERRITE BEADS		
Q1110	DTC124EKA-X	DIGI.TRANSISTOR			K1954-55	QQR1214-001Y	FERRITE BEADS		
Q1111	2SC2412K/QR/-X	SI.TRANSISTOR			L1951	QQLZ034-460	CHOKE COIL		
Q1130	2SA1037AK/QR/-X	SI.TRANSISTOR			△ LF1901	QQR0673-004	LINE FILTER		
Q1131	DTC124EKA-X	DIGI.TRANSISTOR			△ LF1902	QQR1035-002	LINE FILTER		
Q1132	2SC2412K/QR/-X	SI.TRANSISTOR			△ PC1901	PC123F2	I.C(PH.COUPLER)		
Q1133	2SA1037AK/QR/-X	SI.TRANSISTOR			△ RY1901	QSK0061-001	RELAY		
Q1134-35	DTC124EKA-X	DIGI.TRANSISTOR			S1780	QSW0619-003Z	PUSH SWITCH	MENU	
Q1136-37	2SC2412K/QR/-X	SI.TRANSISTOR			S1781	QSW0619-003Z	PUSH SWITCH	CH-	
Q1301-02	2SA1037AK/QR/-X	SI.TRANSISTOR			S1782	QSW0619-003Z	PUSH SWITCH	CH+	
Q1353-55	2SC2412K/QR/-X	SI.TRANSISTOR			S1783	QSW0619-003Z	PUSH SWITCH	VOL-	
Q1480	2SD1408/OY/-LB	SI.TRANSISTOR			S1784	QSW0619-003Z	PUSH SWITCH	VOL+	
Q1521	2SC2655/Y/-T	SI.TRANSISTOR			△ S1901	QSW0846-001	PUSH SWITCH	POWER	
Q1522	2SD2634-YD	SI.TRANSISTOR			SF1101	QAX0325-001	SAW FILTER		
Q1591	2SA1208/ST/Z1-T	SI.TRANSISTOR			SF1102	QAX0594-001	SAW FILTER		
Q1592	DTC124EKA-X	DIGI.TRANSISTOR			SG1301-03	QAF0006-501	ARRESTER		
Q1660-61	2SC2412K/QR/-X	SI.TRANSISTOR			SG1304	QAF0041-272	ARRESTER		
Q1683-84	2SA1037AK/QR/-X	SI.TRANSISTOR			△ SK1351	CE42446-001	C.R.T.SOCKET		
Q1685-86	DTC323TK-X	DIGI.TRANSISTOR			TH1901	QAD0134-4R5	P.THERMISTOR		
Q1687	2SC2412K/QR/-X	SI.TRANSISTOR			TU1001	QAU0185-003	TUNER		
Q1688	2SA1037AK/QR/-X	SI.TRANSISTOR			△ VA1901	QAF0052-621	VARISTOR		
					W1003	QQR1214-001Y	FERRITE BEADS		

△ Symbol No.	Part No.	Part Name	Description	Local
<b>OTHERS</b>				
W1008	NRSA02J-0R0X	MG R	0.0Ω 1/10W	J
W1010	NRSA02J-0R0X	MG R	0.0Ω 1/10W	J
W1052	QQR1214-001Y	FERRITE BEADS		
W1067	QQR1214-001Y	FERRITE BEADS		
W1071	NRSA02J-0R0X	MG R	0.0Ω 1/10W	J
W1096	NRSA02J-0R0X	MG R	0.0Ω 1/10W	J
W1107	QQR1214-001Y	FERRITE BEADS		
W1239	NRSA02J-0R0X	MG R	0.0Ω 1/10W	J
W1257	NRSA02J-0R0X	MG R	0.0Ω 1/10W	J
W1258	NRSA02J-0R0X	MG R	0.0Ω 1/10W	J
W1260	NRSA02J-0R0X	MG R	0.0Ω 1/10W	J
W1275	NRSA02J-0R0X	MG R	0.0Ω 1/10W	J
W1280	NRSA02J-0R0X	MG R	0.0Ω 1/10W	J
W1293	QQR1214-001Y	FERRITE BEADS		
W1299	NRSA02J-0R0X	MG R	0.0Ω 1/10W	J
W1306	NRSA02J-0R0X	MG R	0.0Ω 1/10W	J
W1307	NRSA02J-0R0X	MG R	0.0Ω 1/10W	J
W1309	NRSA02J-0R0X	MG R	0.0Ω 1/10W	J
W1318	QQR1214-001Y	FERRITE BEADS		
W1321	NRSA02J-0R0X	MG R	0.0Ω 1/10W	J
W1322	NRSA02J-0R0X	MG R	0.0Ω 1/10W	J
W1325	NRSA02J-0R0X	MG R	0.0Ω 1/10W	J
W1326	NRSA02J-0R0X	MG R	0.0Ω 1/10W	J
W1330	NRSA02J-0R0X	MG R	0.0Ω 1/10W	J
W1333	NRSA02J-0R0X	MG R	0.0Ω 1/10W	J
W1339	NRSA02J-0R0X	MG R	0.0Ω 1/10W	J
W1340	NRSA02J-0R0X	MG R	0.0Ω 1/10W	J
W1347	NRSA02J-0R0X	MG R	0.0Ω 1/10W	J
W1375	NRSA02J-0R0X	MG R	0.0Ω 1/10W	J
W1379	NRSA02J-0R0X	MG R	0.0Ω 1/10W	J
W1383	NRSA02J-0R0X	MG R	0.0Ω 1/10W	J
W1386	NRSA02J-0R0X	MG R	0.0Ω 1/10W	J
W1388	NRSA02J-0R0X	MG R	0.0Ω 1/10W	J
W1417	NRSA02J-0R0X	MG R	0.0Ω 1/10W	J
W1418	NRSA02J-0R0X	MG R	0.0Ω 1/10W	J
W1423	NRSA02J-0R0X	MG R	0.0Ω 1/10W	J
W1424	QQR1214-001Y	FERRITE BEADS		
W1427	NRSA02J-0R0X	MG R	0.0Ω 1/10W	J
W1428	NRSA02J-0R0X	MG R	0.0Ω 1/10W	J
W1430	NRSA02J-0R0X	MG R	0.0Ω 1/10W	J
W1431	NRSA02J-0R0X	MG R	0.0Ω 1/10W	J
X1701	QAX0688-001	CRYSTAL		
Y1001	NRSA02J-0R0X	MG R	0.0Ω 1/10W	J
Y1002	NRSA02J-0R0X	MG R	0.0Ω 1/10W	J
Y1103	QRE141J-0R0Y	C R	0.0Ω 1/4W	J
Y1130	NRSA02J-0R0X	MG R	0.0Ω 1/10W	J
Y1301	NRSA02J-0R0X	MG R	0.0Ω 1/10W	J
Y1302	NRSA02J-0R0X	MG R	0.0Ω 1/10W	J
Y1601	NRSA02J-0R0X	MG R	0.0Ω 1/10W	J
Y1603	NRSA02J-0R0X	MG R	0.0Ω 1/10W	J

## REMOTE CONTROL UNIT PARTS LIST(RM-C357-1C)

△ Ref.No.	Part No.	Part Name	Description	Local
	31392340128	BATTERY COVER		

# PACKING



## PACKING PARTS LIST

△ Ref.No.	Part No.	Part Name	Description	Local
1	GG30033-001A-E	POLY BAG		
2	GG10078-006A-E	P CASE		
3	GG10131-003A-E	CUSHION ASSY		
4	RM-C357-1C	RC HAND UNIT		
5	GG40015-001A-E	SERIAL LABEL	(X2)	
6	GG30034-001A-E	POLY BAG		
△ 7	LCT1009-001A	INST BOOK		
8	CEAB005-00AJ1	MATCHING BOX		